

MICROTRAX

Vehicle Tracking System

GPS Tracking System



The MICRO TRAX system provides you with peace of mind, giving up to the minute information on the location of your vehicle. It enables you to monitor, track and protect your mobile assets 24 hours a day. It is cost effective, flexible, reliable and functional. The MICRO TRAX acts as your eye in the sky that allows you to monitor, control and track the location of all types of vehicles using GPS via SMS/GPRS. It will facilitate control of your vehicle from a safe remote location. Control of the vehicle includes locking, unlocking, ignition interrupt and anything that can be electrically controlled.

FEATURES

- Round the clock vehicle controlling , tracking and monitoring
- Communication through the established GSM communication network
- Communication through SMS/GPRS
- Allows "Geo-fencing"
- Can control electrical system in vehicle such as ignition / fuel pump , hooter and indicators
- Gradual engine stop feature when vehicle is on the road
- Hidden panic button alerts base station immediately of any emergency
- Vehicle can be immobilized / disabled through the base station in case of theft / emergency
- Real time tracking allows the vehicle to be immobilized safely, while monitoring its exact location and speed
- Date and time stamped information
- Programmable remote access
- 32 programmable geo fencing zones for circular (Black / white zones) and rectangular (Black / white zones)

Features (Contd.....)

Events:

- Over Speed
- Under Speed
- Harsh Brake
- Harsh Acceleration
- Main Battery Failure
- Backup Battery Failure
- Zone Crossing
- GPS Lock/Unlock
- GPRS In/Out
- Input Change
- On Demand Output Change
- Time Based
- Distance Based

Interfaces:

Antenna connectors

- SMA Connector for GSM Antenna
- SMA Connector for GPS Active Antenna

Power Connectors

- 12 Pin Power Connector for Analog and Digital Inputs
- 8 Pin Power Connector for Out Puts, Aux. Battery and Main Power.
- DB9 Connector for Serial Communications.

Inputs & Outputs

- 4 digital inputs
- 4 analog inputs
- 4 digital outputs

General Features of the GPRS/GSM Module

- Dual Band EGSM900 and GSM1800
- Compliant With GSM Phase 2/2+

Output power:

- Class 4 (2 W) for EGSM900
- Class 1 (1 W) for GSM1800

Power consumption:

- Power down 50 uA
- Sleep mode (registered DRX = 6) 3.0 mA
- GPRS class 8 (Average) 360 mA

Specifications for data transfer:

- GPRS class 8 (85.6 kbps)
- Full PBCCH support
- MS class B
- Coding scheme CS 1, 2, 3, 4
- CSD up to 14.4 kbps
- USSD
- Non transparent mode

Specifications for SMS:

- Point-to-point MO and MT
- SMS cell broadcast
- Text and PDU mode

General Features of the GPS Receiver

- Chipset SIRF Star
- Frequency L1, 1575.42 MHz
- C/A code 1.023 MHz chip rate

- Channels 20 channel all-in-view tracking

Accuracy

- Position 10 meters, 2D RMS
- 5 meters, 2D RMS, WAAS enabled
- Velocity 0.1 meters/second.
- Time 1 microsecond synchronized GPS time

Datum

- Default WGS-84

Acquisition Time

- Reacquisition 0.1 sec., average
- Hot start 1 sec., average
- Warm start 38 sec., average
- Cold start 42 sec., average

Dynamic Conditions

- Altitude 18,000 meters (60,000 feet) max
- Velocity 515 meters/second (1000 knot) max
- Acceleration Less than 4g
- Jerk 20m/sec **3

Indications

- Red LED for power status
- Green LED for GPS status
- Yellow LED for GSM status

Case Work

- Smart And Rugged Aluminum case

Dimensions

- 130mm X 145mm X 38mm

Weight

- 495g (excluding batteries & antennas)

Operating Range

- Temperature -10c To +55c
- Humidity 10% To 95%

Storage Range

- Temperature -25c To +70c
- Humidity 10% To 95%

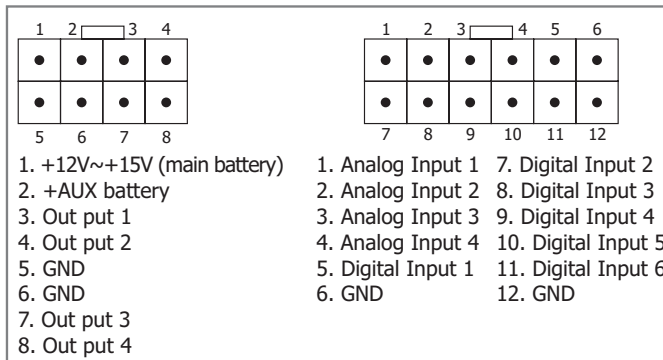
Power Supply

- 13.5V DC ~ 15V DC

Backup Battery

- 12V/1.2Ah Lead Acid Battery

CONNECTION DIAGRAM



MicroTech Labs
Core Engineered, Optimal Solutions

Head Office

2nd Floor, Simla Tower, 5-Davis Road, Lahore, Pakistan

UAN: +92-42-111-111-684 Fax: +92-42-6370749

Email: marketing@mtlimited.com www.mtlimited.com



ISO 9001:2000 Standards

MICROTRAX